

# Quick Start Guide

## MeshAP 5100 Dual-Radio WiFi Mesh Network Access Point

### Hardware Setup

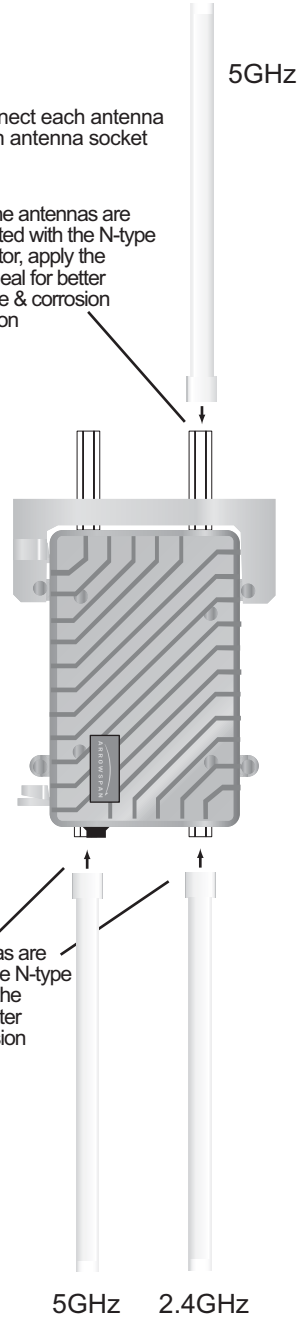
#### Package Contents

- MeshAP 5100
- Antennas 5GHz (x2)
- Antennas 2.4GHz (x1)
- RJ-45 Connector (X1)
- Coax-Seal (10")

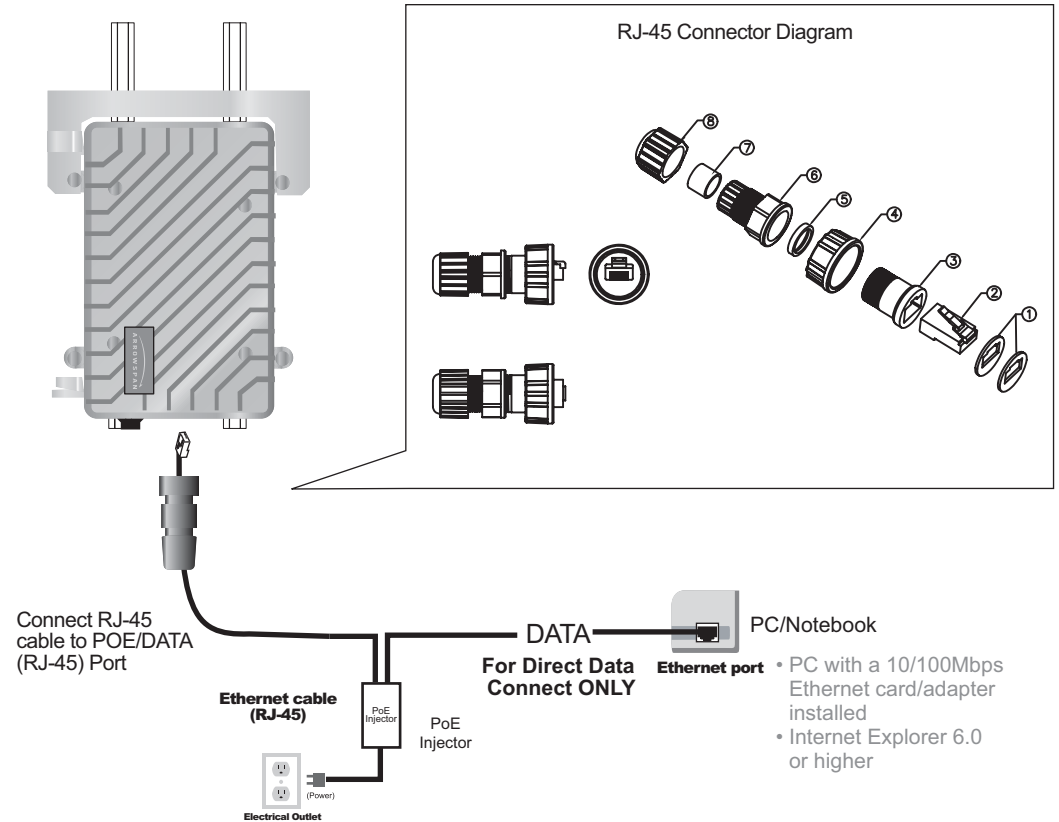
- 1** Connect each antenna to an antenna socket to an antenna socket

Once the antennas are connected with the N-type connector, apply the Coax-Seal for better moisture & corrosion protection

Once the antennas are connected with the N-type connector, apply the Coax-Seal for better moisture & corrosion protection



- 2** Connect one end of the Ethernet cable to the Ethernet port and another end to the POE (Power over Ethernet) injector



#### Instructions

1. Make sure PC or notebook IP address is set to: **192.168.1.xxx** and subnet mask is set to: **255.255.255.0**
2. Launch Web Browser (Internet Explorer or Firefox)
3. Enter **192.168.1.8** at the address bar of the web browser and press Enter to access the Access Point
4. UserName: **admin** Password: **admin** Click "OK"